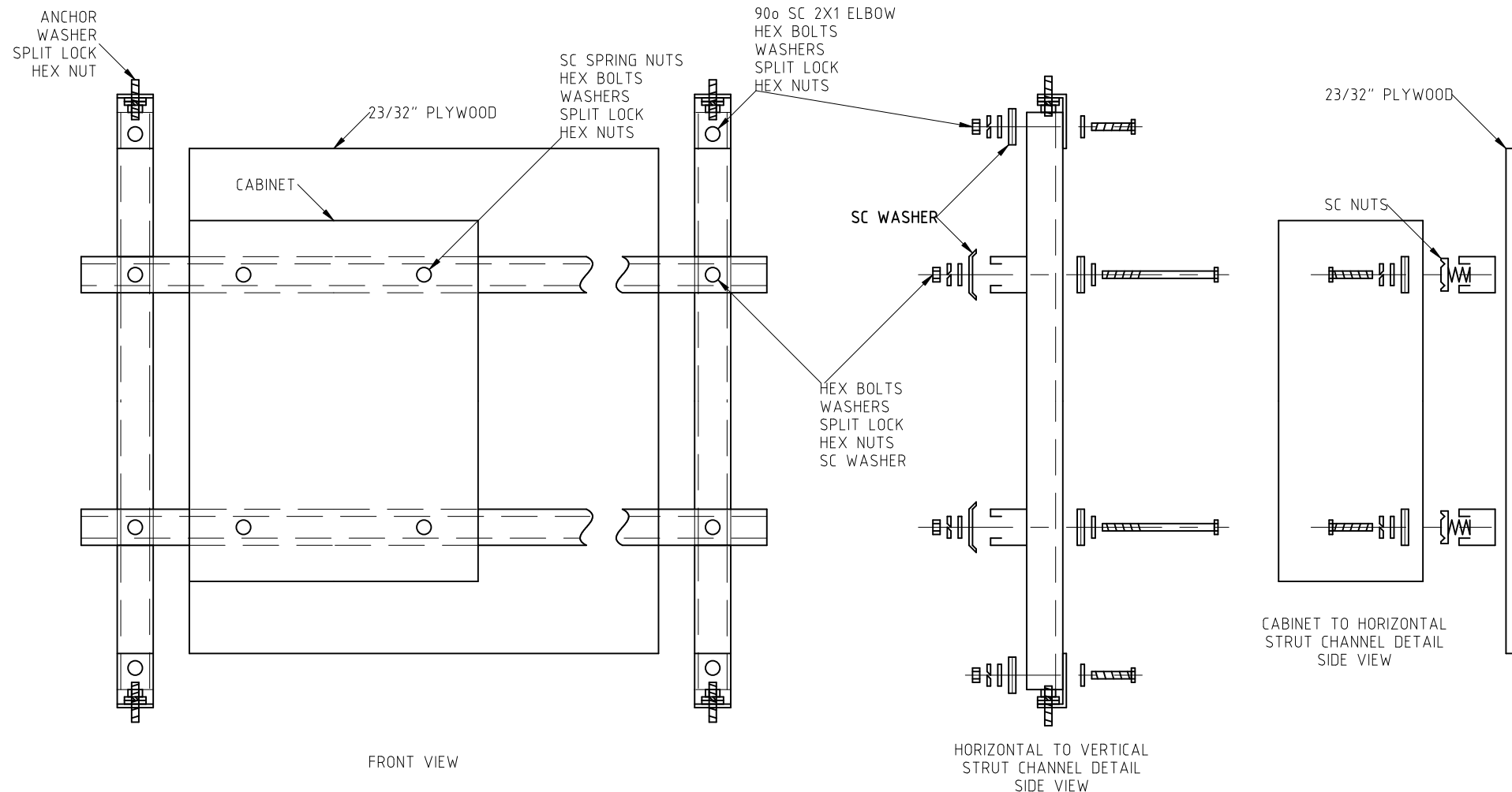



AS-BUILT



NOTE:

- \* HORIZONTAL STRUTS MAY BE ATTACHED BEHIND VERTICAL STRUTS FOR LESS PROTRUSION. HINGED CABINET SHOULD DOUBLE CHECK FOR OPEN CLEARANCE.
- \* FOR DEMARCATION AND ADD'L EQUIPMENT, INSTALL 23/32" PLYWOOD BEHIND HORIZONTAL STRUTS WITH APPROPRIATE SPACING USING WOOD SCREWS.
- \* INSTALL EXTRA STRUTS AS REQUIRED

25	NYC MESH LOGO UPDATE ADDRESS UPDATE	12/30/23	RC
NO.	REVISION	DATE	INIT.
 <p><b>NYC MESH</b> 151 Broome St. New York, NY 10002 INTERNAL USE ONLY</p> <p>GKPSHJF,SFDORPO APPROVED BY DATE JAN/20/2024</p> <p>ASJHFDKAHGALHBFGBABV DRAWN BY DATE DEC/30/2023</p>		<p>NYC MESH DOCUMENTATION</p> <p><b>HUB NAME</b> <b>DRAWING NAME</b> Edit with tools-&gt;properties-&gt;select text</p> <p>1111 TEMPLATE ST, DRAFT ISLAND, NY 11111</p>	
		12345	12345-DWG-95A
SCALE N. T. S.		DRAWING NUMBER	